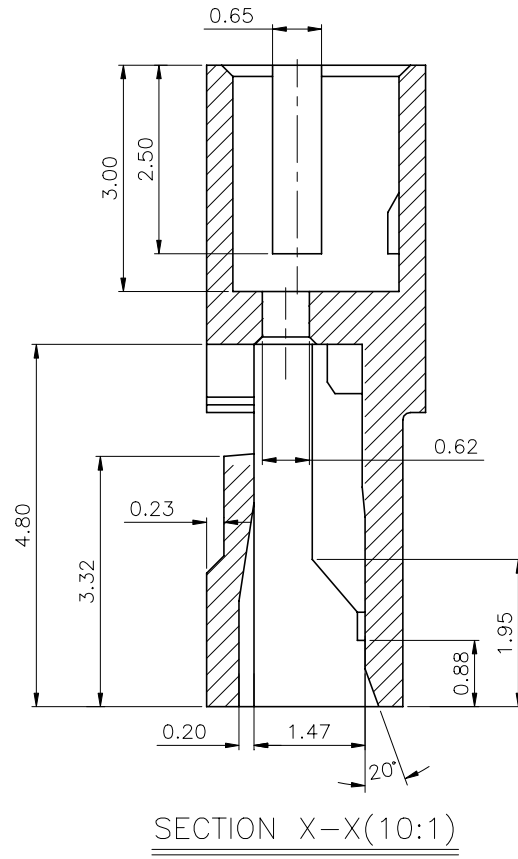
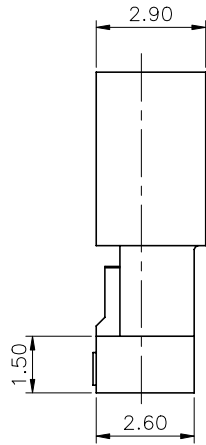
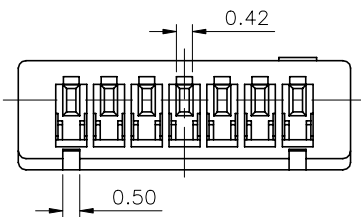


CIRCUIT NO. 1



SECTION X-X(10:1)

NOTES:
1. MATERIAL IS Halogen Free PLASTIC,
HIGH TEMP, UL 94 V-0,

2. PART NUMBER

50237-XXX H X X X-XXX

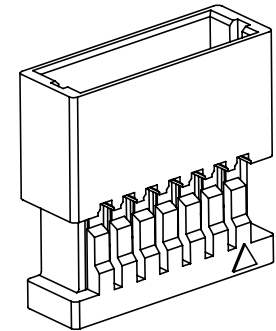
NO OF CKTS

Polarization
0: None

MATERIAL
H: NYLON 66

XXX	PACKING	Halogen Free
001	BAG	HF

COLOR
0:NATURE



CKT	DIM A	DIM B	DIM C
2	1.0	2.5	3.8
3	2.0	3.5	4.8
4	3.0	4.5	5.8
5	4.0	5.5	6.8
6	5.0	6.5	7.8
7	6.0	7.5	8.8
8	7.0	8.5	9.8
9	8.0	9.5	10.8
10	9.0	10.5	11.8
11	10.0	11.5	12.8

QUALITY SYMBOLS MAJOR Ⓜ CRITICAL Ⓢ GENERAL TOLERANCES (UNLESS SPECIFIED) X ±0.5 .X ±0.25 .XX ±0.15 .XXX ±0.1 ANGLES ±2°	DRAWN BY TIANYINGHONG	DATE 21/03/29		
	CHECKED BY XUZHUYONG	DATE 21/03/29		TITLE 1.0mm WTW CONN.HOUSING S/R TYPE
	UNITS mm		SIZE A4	RFQ NO. N/A
	SCALE 1:1	SHEET NO. 1 OF 1	REV D	DWG NO. 50237-XXXHXXX-XXX